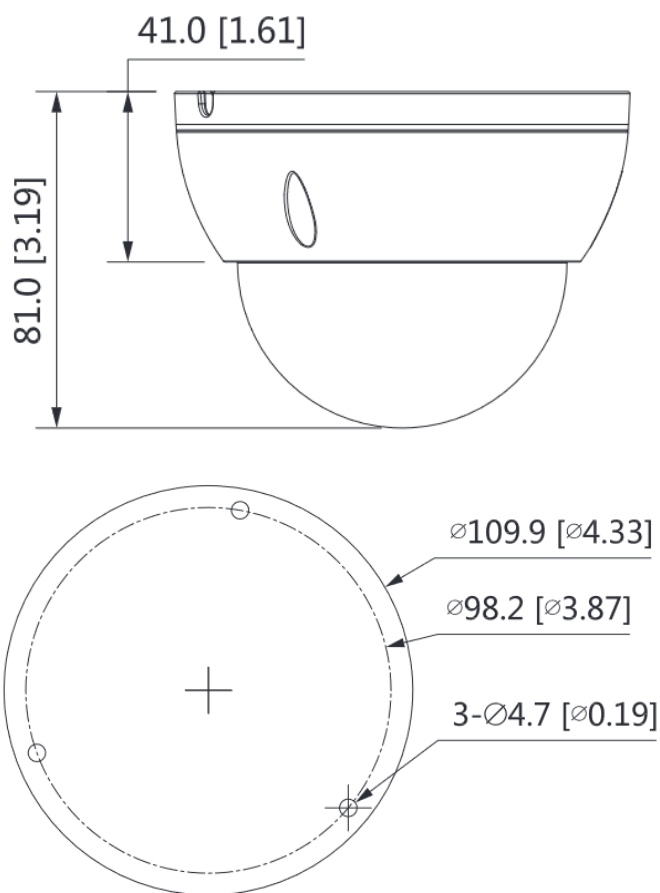




Camera IP 4K Mini Dome

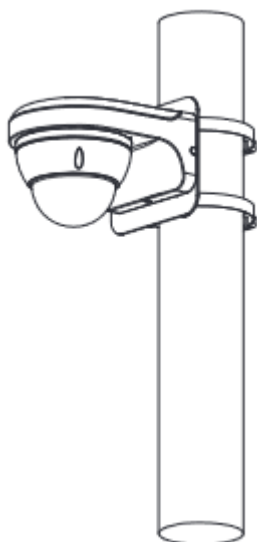
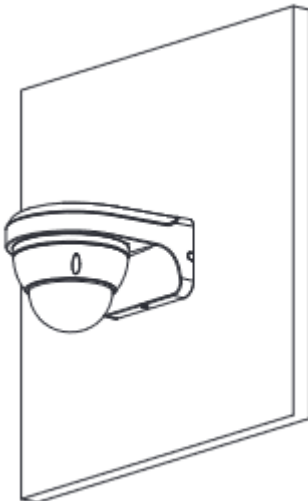
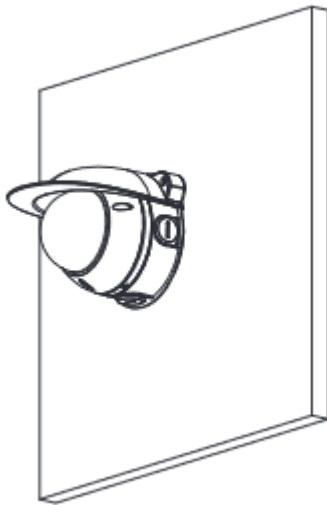
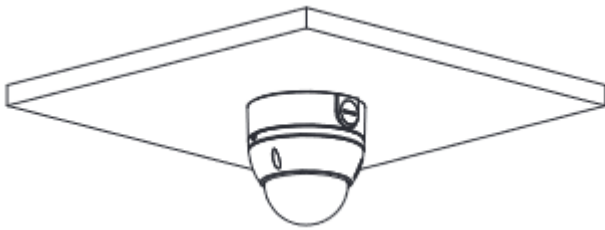
Camera IP 4K Mini Dome STARLIGHT da 8Mp con 25Fps, antivandalo IK10 da esterno/interno IP67 con analisi video integrata, sensore CMOS progressivo 1/2.8", H265+/H264, ICR meccanico, ottica 2.8mm con regolazione su 3 assi, luminosità 0.007Lux f1.4 (0 Lux con IR on), led IR portata fino a 30mt, funzione Smart Motion Detection e Perimeter Protection, porta LAN 10/100, 1 slot per MicroSD-Card (max 256Gb) per backup, privacy mask 4 aree, 3D, WDR, alimentazione 12Vdc, PoE <7W, compatibile ONVIF. (ø109.9mm×81.0mm)

PIXVIDEO

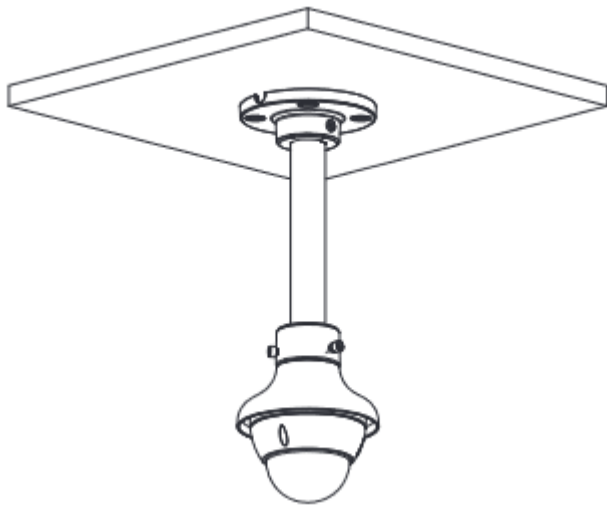


CARATTERISTICHE TECNICHE

| Technical Specification | |
|----------------------------------|--|
| Model | NDF807SKA |
| Camera | |
| Image Sensor | 1/2.8" 8 Megapixel progressive CMOS |
| Max. Resolution | 3840 (H) × 2160 (V) |
| ROM | 128 MB |
| RAM | 512 MB |
| Scanning System | Progressive |
| Electronic Shutter Speed | Auto/Manual 1/3 s–1/100,000 s |
| Minimum Illumination | 0.007 Lux@F1.4 (Color, 30IRE) 0.0007 Lux@F1.4 (B/W, 30IRE) 0 Lux (Illuminator on) |
| S/N Ratio | > 56 dB |
| Illumination Distance | 30 m (98.4 ft) |
| Illuminator On/Off Control | Auto/Manual |
| Illuminator Number | 3 (IR LED) |
| Pan/Tilt/Rotation Range | Pan: 0°–360° Tilt: 0°–60° Rotation: 0°–355° |
| Lens | |
| Lens Type | Fixed-focal |
| Mount Type | M12 |
| Focal Length | 2.8 mm; 3.6 mm |
| Max Aperture | F1.4 |
| Field of View | 2.8 mm: Horizontal 108° × Vertical 58° × Diagonal 127° 3.6 mm: Horizontal 85° × Vertical 45° × Diagonal 100° |
| Iris Type | Fixed |
| Close Focus Distance | 2.8 mm: 1.4 m (4.6 ft) 3.6 mm: 2.4 m (7.9 ft) |
| Professional, Intelligent | |
| Perimeter Protection | Tripwire; intrusion (support the classification and accurate detection of vehicle and human) |
| Intelligent Search | Work together with Smart NVR to perform refine intelligent search, event extraction and merging to event videos |
| Video | |
| Video Compression | H.265; H.264; H.264H; H.264B; MJPEG (only supported by the sub stream) |
| Smart Codec | Smart H.265+/ Smart H.264+ |
| Video Frame Rate | Main stream: 3840 × 2160 @(1–20 fps by default) 3840 × 2160 @(1–25/30 fps when AI function disabled) sub stream: 704 × 576 @(1–25 fps)/704 × 480 @ (1–30 fps) third stream: 1920 × 1080 @(1–25/30 fps) |
| Stream Capability | 3 streams |
| Resolution | 8M (3840 × 2160); 6M (3072 × 2048); 5M (3072 × 1728/2592 × 1944); 4M (2688 × 1520); 3M (2048 × 1536/2304 × 1296); 1080p (1920 × 1080); 1.3M (1280 × 960); 720p (1280 × 720); D1(704 × 576/704 × 480); VGA (640 × 480); CIF (352 × 288/352 × 240) |



| | |
|-----------------------------|---|
| Bit Rate Control | CBR/VBR |
| Video Bit Rate | H.264: 3 kbps–8192 kbps H.265: 3 kbps–8192 kbps |
| Day/Night | Auto (ICR)/Color/B/W |
| BLC | Yes |
| HLC | Yes |
| WDR | 120 dB |
| Scene Self-adaptation (SSA) | Yes |
| White Balance | Auto/natural/street lamp/outdoor/manual/regional custom |
| Gain Control | Auto/Manual |
| Noise Reduction | 3D DNR |
| Motion Detection | OFF/ON (4 areas, rectangular) |
| Region of Interest (RoI) | Yes (4 areas) |
| Smart Illumination | Yes |
| Image Rotation | 0°/90°/180°/270° (Support 90°/270° with 1080p resolution and lower.) |
| Mirror | Yes |
| Privacy Masking | 4 areas |
| Audio | |
| Audio Compression | G.711a; G.711Mu; G726 |
| Alarm | |
| Alarm Event | - AS: No SD card; SD card full; SD card error; service life warning; network disconnection; IP conflict; illegal access; motion detection; video tampering; intrusion; tripwire; scene changing; audio detection; voltage detection; external alarm; SMD; safety exception -S: No SD card; SD card full; SD card error; service life warning; network disconnection; IP conflict; illegal access; motion detection; video tampering; intrusion; tripwire; scene changing; voltage detection; SMD; safety exception |
| Network | |
| Network | RJ-45 (10/100 Base-T) |
| SDK and API | Yes |
| Protocol | IPv4; IPv6; HTTP; TCP; UDP; ARP; RTP; RTSP; RTCP; RTMP; SMTP; FTP; SFTP; DHCP; DNS; DDNS; QoS; UPnP; NTP; Multicast; ICMP; IGMP; NFS; SAMBA; PPPoE; SNMP |
| Cyber Security | Video encryption; firmware encryption; configuration encryption; Digest; WSSE; account lockout; security logs; IP/MAC filtering; generation and importing of X.509 certification; syslog; HTTPS; 802.1x; trusted boot; trusted execution; trusted upgrade |
| Interoperability | ONVIF (Profile S/Profile G/Profile T); CGI; P2P; Milestone; Genetec |
| User/Host | 20 (Total bandwidth: 72 M) |
| Storage | FTP; SFTP; Micro SD card (support max. 256 G); NAS |
| Browser | IE: IE8; IE9; IE11 Chrome Firefox |
| Management Software | Smart PSS; DSS; DMSS |
| Mobile Phone | IOS; Android |



| Certification | |
|----------------------|--|
| Certifications | CE-LVD: EN62368-1 CE-EMC: Electromagnetic Compatibility Directive 2014/30/EU FCC: 47 CFR FCC Part 15, Subpart B UL/CUL: UL60950-1 CAN/CSA C22.2 No.60950-1-07 |
| Port | |
| Audio Input | 1 channel (RCA port) (Only - AS supports) |
| Audio Output | 1 channel (RCA port) (Only - AS supports) |
| Alarm Input | 1 channel in: 5mA 3V–5V DC (Only - AS supports) |
| Alarm Output | 1 channel out: 300mA 12V DC (Only - AS supports) |
| Power | |
| Power Supply | 12V DC/PoE (802.3af) |
| Power Consumption | Basic power consumption: 2.7W (12V DC); 3.6W (PoE) Max. power consumption (WDR + H.265 +IR LED intensity): 6W (12V DC); 7W (PoE) |
| Environment | |
| Operating Conditions | –40°C to +55°C (–40°F to +131°F)/Less than 95% RH |
| Storage Conditions | –40°C to +60°C (–40°F to +140°F) |
| Protection Grade | IP67; IK10 |
| Structure | |
| Casing | Metal |
| Dimensions | 81 mm × Φ109.9 mm (3.2" × Φ4.3") |
| Net Weight | 378 g (0.8lb) |
| Gross Weight | 523 g (1.2lb) |

DORI Distance

| | Lens | Detect | Observe | Recognize | Identify |
|---------------|--------|-----------------------|----------------------|---------------------|---------------------|
| DORI Distance | 2.8 mm | 85.5 m (280.5 ft) | 34.2 m (112.2 ft) | 17.1 m (56.1 ft) | 8.6 m (28.2 ft) |
| | 3.6 mm | 110.3 m (361.9 ft) | 44.1 m (144.7 ft) | 22.1 m (72.5 ft) | 11.0 m (36.1 ft) |