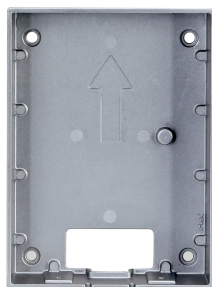


CARATTERISTICHE TECNICHE

Technical Specification

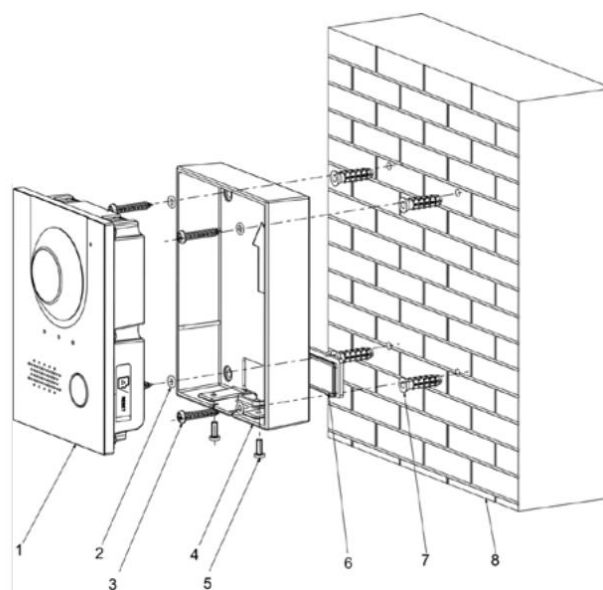
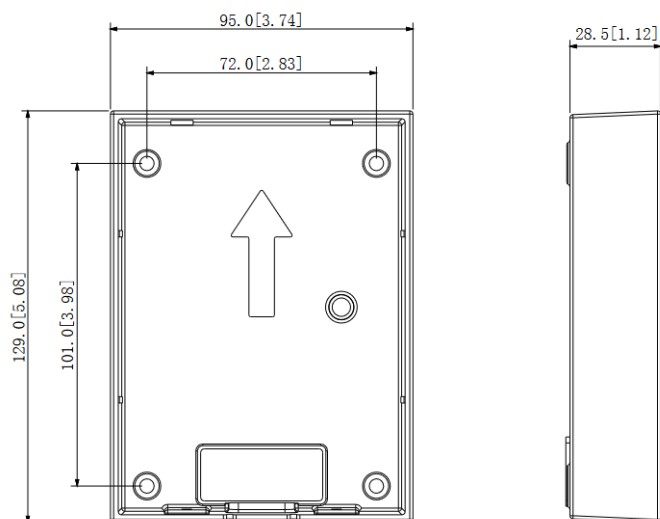
Model	VAM013
Regular	
Material	AL5052 t=2.0mm
Dimensions	129.0mm×95.0mm×28.5mm (5.08"×3.74"×1.12")



Scatola montaggio

Scatola per montaggio in superficie per postazione esterna, in alluminio (per VEP013AL). (129.0x95.0x28.5mm)

PIXVIDEO



- Step1** With the help of installation diagram, hammer four expansion screws into the wall.
- Step2** Install the waterproof silica gel pad on the mounting box from the back of the mounting box.
- Step3** Put four waterproof rings on four ST4×25 self-tapping screws.
- Step4** Install the mounting box on the wall by screw the four ST4×25 self-tapping screws into the expansion screws.
- Step5** Put the VTO into the mounting box.
- Step6** Fix the VTO to the mounting box by screwing two M3×8 screws from the bottom of the mounting box.