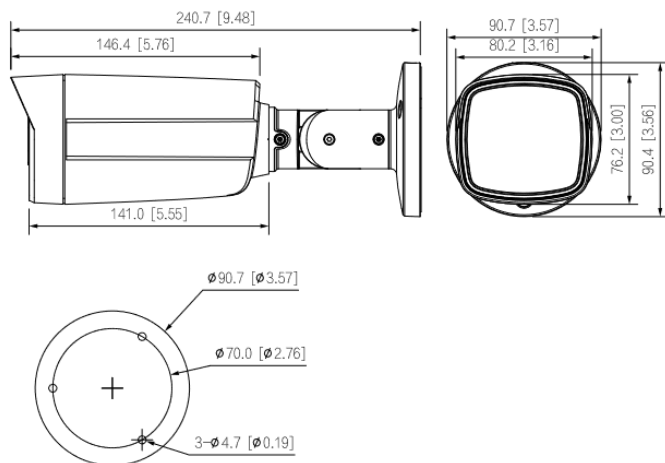




## Telecamera HDCVI Bullet

Telecamera Bullet HDCVI FULL COLOR STARLIGHT doppia illuminazione I.R. + Led bianchi, da 2Mp a 25fps, da esterno/interno IP67, sensore progressivo 1/2.8" CMOS, ICR meccanico, ottica 3.6mm, luminosità 0.001Lux f1.6 (0 Lux con Led on), led IR e bianchi con portata fino a 40mt, con microfono incorporato, 2-3D, WDR, 1 uscita video (HDCVI o AHD o TVI o CVBS), OSD su cavo coassiale, alimentazione 12Vdc, 4W, in dotazione staffa di fissaggio. (240.7mm×90.7mm×90.4mm)

# PIXVIDEO



## CARATTERISTICHE TECNICHE

### Technical Specification

Model	HBF213CDI
<b>Camera</b>	
Pixel	2 MP
Image Sensor	2 MP CMOS
Max. Resolution	1920 (H) × 1080 (V)
Scanning System	Progressive
Electronic Shutter Speed	PAL: 1/25 s–1/100,000 s NTSC: 1/30 s–1/100,000 s
Min. Illumination	0.001 lux@F1.6 (Color, 30 IRE) 0.0001 lux@F1.6 (B/W, 30 IRE) 0 lux (Illuminator on)
S/N Ratio	>65 dB
Illumination Distance	IR: 40 m (131.23 ft) Warm light: 40 m (131.23 ft)
Illuminator On/Off Control	Auto/Manual
Illuminator Number	2 (IR light) 2 (Warm light)
Pan/Tilt/Rotation Range	Pan: 0°–360° Tilt: 0°–90° Rotation: 0°–360°
<b>Lens</b>	
Lens Type	Fixed-focal
Lens Mount	M12
Focal Length	2.8 mm 3.6 mm
Max. Aperture	F1.6
Field of View	2.8 mm: H: 107°; V: 56°; D: 127° 3.6 mm: H: 86°; V: 46°; D: 101°
Iris Control	Fixed
Close Focus Distance	2.8 mm: 0.7 m (2.29 ft) 3.6 mm: 1.1 m (3.61 ft)
<b>Video</b>	
Video Frame Rate	CVI: PAL: 1080p@25 fps; NTSC: 1080p@30 fps; AHD: PAL: 1080p@25 fps; NTSC: 1080p@30 fps; TVI: PAL: 1080p@25 fps; NTSC: 1080p@30 fps; CVBS: PAL: 960 × 576H; NTSC: 960 × 480H
Resolution	1080p (1920 × 1080); 960H (960 × 576/960 × 480)
Day/Night	Auto (ICR)/Color/B/W
BLC	BLC; HLC; WDR
WDR	130 dB
White Balance	Auto; Area white balance
Gain Control	Auto/Manual
Noise Reduction	3D NR
Smart Illumination	Yes
Mirror	Off/On
Privacy Masking	Off/On (8 areas, rectangle)
Illuminator	Smart IR&WL; WL Mode; IR Mode

<b>Certifications</b>	
Certifications	CE (EN55032: 2015, EN61000-3-2: 2014, EN61000-3-3: 2013, EN55024: 2010+A1: 2015, EN55035: 2017, EN50130-4: 2011+A1: 2014, EN62368-1: 2014+A11: 2017) FCC (CFR 47 FCC Part 15 subpartB, ANSI C63.4-2014) UL (UL62368-1+CAN/CSA C22.2 No.62368-1-14)
<b>Port</b>	
Video Output	Video output choices of CVI/TVI/AHD/CVBS by one BNC port
Audio Input	One channel built-in MIC (-A)
<b>Power</b>	
Power Supply	12 VDC $\pm$ 30%
Power Consumption	Max 4.0 W (12 VDC, LED on)
<b>Environment</b>	
Operating Temperature	-40 °C to +60 °C (-40 °F to +140 °F)
Operating Humidity	<95% (RH), non-condensing
Storage Temperature	-40 °C to +60 °C (-40 °F to +140 °F)
Protection	IP67
<b>Structure</b>	
Casing Material	Metal
Product Dimensions	240.7 mm $\times$ 90.7 mm $\times$ 90.4 mm (9.48" $\times$ 3.57" $\times$ 3.56")
Packaging Dimensions	299 mm $\times$ 119 mm $\times$ 111 mm (11.77" $\times$ 4.69" $\times$ 4.37")
Net Weight	0.65 kg (1.43 lb)
Gross Weight	0.89 kg (1.96 lb)
Installation	Wall mount; ceiling mount; vertical pole mount

### DORI Distance

	Lens	Detect	Observe	Recognize	Identify
DORI Distance	2.8 mm	42.2 m (138.45 ft)	16.9 m (55.45 ft)	8.4 m (27.56 ft)	4.2 m (13.78 ft)
	3.6 mm	53.7 m (176.18 ft)	21.5 m (70.54 ft)	10.7 m (35.10 ft)	5.4 m (17.72 ft)