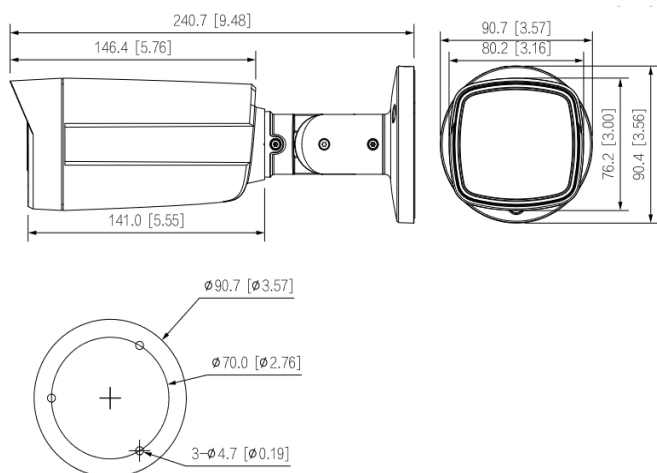




Telecamera HDCVI Bullet

Telecamera Bullet HDCVI FULL COLOR STARLIGHT doppia illuminazione I.R. + Led bianchi, da 5Mp a 25fps, da esterno/interno IP67, sensore progressivo 1/3" CMOS, ICR meccanico, ottica 3,6mm, luminosità 0.001Lux f1.0 (0 Lux con Led on), led ir e bianchi con portata fino a 40mt, con microfono incorporato, Deterrenza Attiva con luci rosse e blu e sirena 110 db, 1 uscita di allarme, 2-3D, WDR, 1 uscita video (HDCVI o AHD o TVI o CVBS), OSD su cavo coassiale, alimentazione 12Vdc, 10.5W, in dotazione staffa di fissaggio. (240.7mm×90.7mm×70.0mm)

PIXVIDEO



CARATTERISTICHE TECNICHE

Technical Specification

| | |
|----------------------------|---|
| Model | HBF513CDETDI |
| Camera | |
| Pixel | 5MP |
| Image Sensor | 5MP CMOS |
| Max. Resolution | 2880 (H) × 1620 (V) |
| Scanning System | Progressive |
| Electronic Shutter Speed | PAL: 1/3 s–1/100000 s NTSC: 1/4 s–1/100000 s |
| Min. Illumination | 0.001 lux@F1.0 (Color, 30 IRE) 0.0001 lux@F1.0 (B/W, 30 IRE) 0 lux (Illuminator on) |
| S/N Ratio | >65 dB |
| Illumination Distance | IR: 40 m (131.23 ft) Warm light: 40 m (131.23 ft) |
| Illuminator On/Off Control | Auto; manual |
| Illuminator Number | 2 (IR light) 2 (Warm light) |
| Pan/Tilt/Rotation Range | Pan: 0°–360° Tilt: 0°–90° Rotation: 0°–360° |
| Lens | |
| Lens Type | Fixed-focal |
| Lens Mount | M12 |
| Focal Length | 2.8 mm; 3.6 mm |
| Max. Aperture | F1.0 |
| Field of View | 2.8 mm: H: 111°; V: 57°; D: 131° 3.6 mm: H: 89°; V: 47°; D: 104° |
| Iris Control | Fixed |
| Close Focus Distance | 2.8 mm: 1.5 m (4.92 ft) 3.6 mm: 2.2 m (7.22 ft) |
| Video | |
| Video Frame Rate | CVI: PAL: 5M@25 fps; 4M@25 fps; 1080p@25 fps NTSC: 5M@30 fps; 4M@30 fps; 1080p@30 fps; AHD: PAL: 4M@25 fps; NTSC: 4M@30 fps; TVI: PAL: 4M@25 fps; NTSC: 4M@30 fps; CVBS: PAL: 960H; NTSC: 960H |
| Resolution | 5M (2880 × 1620); 4M (2560 × 1440); 1080p (1920 × 1080); 960H (960 × 576/960 × 480) |
| Day/Night | Auto (ICR)/Color/B/W |
| BLC | BLC; HLC; WDR; HLC-Pro |
| WDR | 120dB |
| White Balance | Auto; Area white balance |
| Gain Control | Auto; manual |
| Noise Reduction | 3D NR |
| Illumination Mode | Smart IR&WL; WL Mode; IR Mode |
| Defog | Electronic defog |
| Digital Zoom | 4× |
| Mirror | Yes |
| Privacy Masking | Off/On (8 areas, rectangle) |

| Active Deterrence | |
|--------------------------|---|
| Sound Warning | Audio 1: Alarm Audio 2: No parking here Audio 3: Private land no entry. Audio 4: Warning zone keep off Audio 5: Welcome Volume: high/medium/low; duration: 5 s–60 s; 110 dB |
| Red/Blue Light Warning | Flash: 5 s–60 s; frequency: high/medium/low |
| Certifications | |
| Certifications | CE (EN55032: 2015, EN61000-3-2: 2014, EN61000-3-3: 2013, EN55024: 2010+A1: 2015, EN55035: 2017, EN50130-4: 2011+A1: 2014, EN62368-1: 2014+A11: 2017) FCC (CFR 47 FCC Part 15 subpartB, ANSI C63.4-2014) UL (UL62368-1+CAN/CSA C22.2 No.62368-1-14) |
| Port | |
| Video Output | Video output choices of CVI/TVI/AHD/CVBS by one BNC port |
| Audio Input | One channel built-in MIC |
| Alarm Output | 1 channel |
| Power | |
| Power Supply | 12 VDC \pm 30% (It is recommended to use a power adapter to supply the power for one camera) |
| Power Consumption | Max 10.5W (12 VDC, IR on) |
| Environment | |
| Operating Temperature | -40 °C to +60 °C (-40 °F to +140 °F) |
| Operating Humidity | <95% (RH), non-condensing |
| Storage Temperature | -40 °C to +60 °C (-40 °F to +140 °F) |
| Protection | IP67 |
| Structure | |
| Casing Material | Metal front cover + plastic rear barrel + metal bracket |
| Product Dimensions | 240.7 mm \times Φ 90.7 mm (9.48" \times Φ 3.57") |
| Packaging Dimensions | 299 mm \times 119 mm \times 111 mm (11.77" \times 4.69" \times 4.37") |
| Net Weight | 0.48 kg (1.06 lb) |
| Gross Weight | 0.74 kg (1.63 lb) |
| Installation | Wall mount; ceiling mount; vertical pole mount |

DORI Distance

| | Lens | Detect | Observe | Recognize | Identify |
|---------------|--------|-----------------------|-----------------------|----------------------|---------------------|
| DORI Distance | 2.8 mm | 66.0 m (216.54 ft) | 26.4 m (86.61 ft) | 13.2 m (43.31 ft) | 6.6 m (21.65 ft) |
| | 3.6 mm | 78.0 m (255.91 ft) | 31.2 m (102.36 ft) | 15.6 m (51.18 ft) | 7.8 m (25.59 ft) |