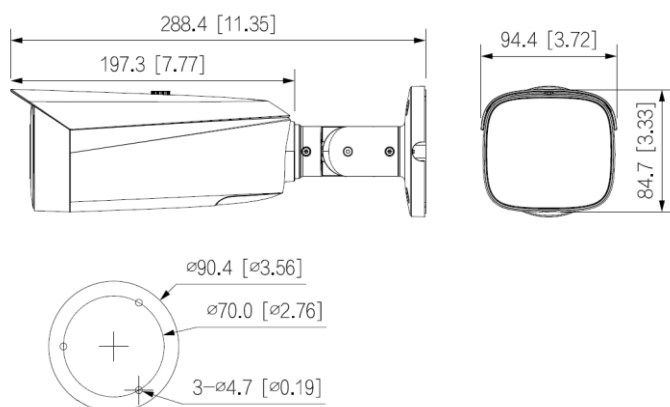




## Telecamera IP Bullet

Camera IP Bullet FULL-COLOR STARLIGHT con doppia ottica e con doppia illuminazione I.R. + Led bianchi, risoluzione 4Mp con 25Fps, da esterno/interno IP67, con analisi video avanzata integrata, 2 sensori CMOS progressivo 1/1.8"+1/1.8", H265+/H264, ICR meccanico, ottica fissa 3.6mm f 1.0, luminosità 0.0002Lux/F1.0 (0 Lux con Led on), led IR e led bianchi portata fino a 50mt, funzione Smart Motion Detection e Perimeter Protection, porta LAN 10/100, 1 ingresso e 1 uscita di allarme, 1 ingresso e 1 uscita audio, 1 slot per MicroSD-Card (max 256Gb), microfono e altoparlante incorporato, privacy mask 4 aree, 3D, WDR, alimentazione 12Vdc/PoE <11.8W, in dotazione staffa di fissaggio, compatibile ONVIF. (288.4mmx94.4mmx84.7mm)

# PIXVIDEO



## CARATTERISTICHE TECNICHE

Technical Specification	
Model	NBF412CBIODI
<b>Camera</b>	
Image Sensor	1/1.8" + 1/1.8" CMOS
Max. Resolution	2688 (H) × 1520 (V)
ROM	128 MB
RAM	1 GB
Scanning System	Progressive
Electronic Shutter Speed	Auto/Manual 1/3 s–1/100,000 s
Min. Illumination	0.0002 lux @F1.0
S/N Ratio	>56 dB
Illumination Distance	50 m (164.04 ft)
Illuminator On/Off Control	Auto; manual
Illuminator Number	4 (IR light); 2 (warm light)
Pan/Tilt/Rotation Range	Pan: 0°–360°
	Tilt: 0°–90°
	Rotation: 0°–360°
<b>Lens</b>	
Lens Type	Fixed-focal
Lens Mount	M16
Focal Length	2.8 mm; 3.6 mm; 6 mm
Max. Aperture	F1.0
Field of View	2.8 mm: Horizontal: 97°; Vertical: 48°; Diagonal: 115°
	3.6 mm: Horizontal: 75°; Vertical: 39°; Diagonal: 87°
	6 mm: Horizontal: 47°; Vertical: 25°; Diagonal: 56°
Iris Control	Fixed
Close Focus Distance	2.8 mm: 4 m (13.1 ft)
	3.6 mm: 5 m (16.4 ft)
	6 mm: 6 m (19.7 ft)
<b>Smart event</b>	
IVS	Abandoned object; missing object
Heat Map	Yes
<b>Intelligence</b>	
IVS (Perimeter Protection)	Tripwire; intrusion; fast moving (the three functions support the classification and accurate detection of vehicle and human); loitering detection; people gathering; parking detection
SMD 3.0	Less false alarm, longer detection distance
Face Detection	Face detection; track; optimization; snapshot; face enhancement; face exposure; face matting setting: face, single inch photo; three snapshot methods: real-time snapshot, optimization snapshot, quality priority; face angle filter; optimization time setting
People Counting	Tripwire people counting and people counting in area; generating and exporting report (day/month/year); queue management; 4 rules can be set for tripwire, people counting in area and queue management

Intelligent Search	Work together with Smart NVR to perform refine intelligent search, event extraction and merging to event videos
<b>Video</b>	
Video Compression	H.265; H.264; H.264B; MJPEG (Only supported by the sub stream)
Smart Codec	Smart H.265+; Smart H.264+
AI Coding	AI H.265; AI H.264
Video Frame Rate	Main stream: 2688 × 1520@(1–25/30 fps) Sub stream: 704 × 576@(1–25 fps)/704 × 480@(1–30 fps) Third stream: 1920 × 1080@(1–25/30 fps)
Stream Capability	3 streams
Resolution	4M (2688 × 1520); 1080p (1920 × 1080); 1.3M (1280 × 960); 720p (1280 × 720); D1 (704 × 576/704 × 480); VGA (640 × 480); CIF (352 × 288/352 × 240)
Bit Rate Control	CBR/VBR
Video Bit Rate	H.264: 32 kbps–8192 kbps H.265: 19 kbps–8192 kbps
Day/Night	Color/B/W
BLC	Yes
HLC	Yes
WDR	DWDR
White Balance	Auto; natural; street lamp; outdoor; manual; regional custom
Gain Control	Auto; manual
Noise Reduction	3D NR
Motion Detection	OFF/ON (4 areas, rectangular)
Region of Interest (Rol)	Yes (4 areas)
Image Rotation	0°/90°/180°/270° (Support 90°/270° with 1080p resolution and lower)
Mirror	Yes
Privacy Masking	4 areas
<b>Audio</b>	
Built-in MIC	Yes
Audio Compression	PCM; G.711a; G.711Mu; G.726; G.723
<b>Alarm</b>	
Alarm Event	No SD card; SD card full; SD card error; network disconnection; IP conflict; illegal access; motion detection; video tampering; tripwire; intrusion; fast moving; abandoned object; missing object; loitering detection; people gathering; parking detection; scene changing; audio detection; voltage detection; face detection; people counting in area; stay detection; people counting; people number error detection; security exception; defocus detection; people number alarm; queue time alarm
<b>Network</b>	
Network Port	RJ-45 (10/100 Enhancement Base-T)
SDK and API	Yes
Cyber Security	Video encryption; configuration encryption; Digest; WSSE; account lockout; security logs; generation and importing of X.509 certification; HTTPS; trusted boot; trusted execution; trusted upgrade
Network Protocol	IPv4; IPv6; HTTP; TCP; UDP; ARP; RTP; RTSP; SMTP; FTP; DHCP; DNS; NTP; Multicast; DDNS
Interoperability	ONVIF (Profile S/Profile G/Profile T); CGI; Milestone; Genetec; P2P

Storage	FTP; SFTP; Micro SD card (support max. 256 G); NAS
Browser	IE: IE8, IE9, IE11 Chrome Firefox
Management Software	Smart PSS; DSS; DMSS
Mobile Client	iOS; Android
<b>Certification</b>	
Certifications	CE-LVD: EN62368-1 CE-EMC: Electromagnetic Compatibility Directive 2014/30/EU FCC: 47 CFR FCC Part 15, Subpart B UL/CUL: UL62368-1 & CAN/CSA C22.2 No. 62368-1-14
<b>Port</b>	
Audio Input	1 channel (RCA port)
Audio Output	1 channel (RCA port)
Alarm Input	1 channel in: 5 mA 3–5V DC
Alarm Output	1 channel out: 300 mA 12 VDC
<b>Power</b>	
Power Supply	12 VDC ( $\pm 30\%$ ); PoE (802.3af); ePoE
Power Consumption	Basic: 3.4 W (12 VDC); 4.5 W (PoE) Max. (H.265+IR and Warm light on): 9.9 W (12 VDC); 11.8 W (PoE)
<b>Environment</b>	
Operating Temperature	-40 °C to +60 °C (-40 °F to +140 °F)
Operating Humidity	$\leq 95\%$
Storage Temperature	-40 °C to +60 °C (-40 °F to +140 °F)
Protection	IP67
<b>Structure</b>	
Casing	Metal
Product Dimensions	288.4 mm $\times$ 94.4 mm $\times$ 84.7 mm (11.35" $\times$ 3.72" $\times$ 3.33") (L $\times$ W $\times$ H)
Net Weight	1.0 kg (2.20 lb)
Gross Weight	1.23 kg (2.71 lb)

## DORI Distance

	Lens	Detect	Observe	Recognize	Identify
DORI Distance	2.8 mm	58.2 m (190.94 ft)	23.3 m (76.44 ft)	11.6 m (38.06 ft)	5.8 m (19.03 ft)
	3.6 mm	70.3 m (230.64 ft)	28.1 m (92.19 ft)	14.1 m (46.26 ft)	7.0 m (22.97 ft)
	6 mm	116.1 m (380.91 ft)	46.5 m (152.56 ft)	23.2 m (76.12 ft)	11.6 m (38.06 ft)