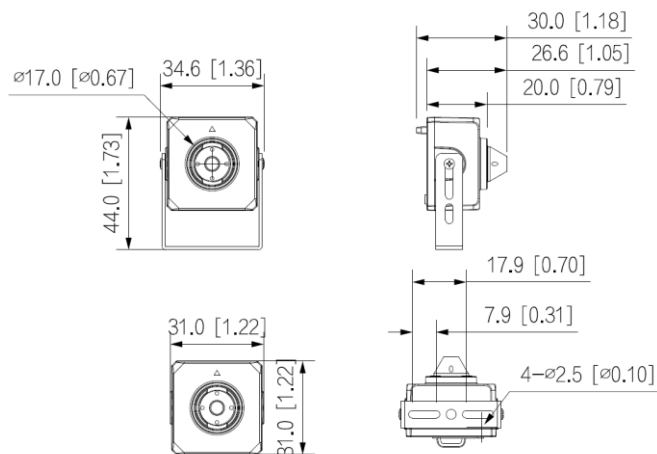




Telecamera IP Pinhole

Telecamera Pinhole IP da interno STARLIGHT con sensore CMOS progressivo 1/3" da 2Mp, risoluzione 1.080p con 25Fps, H.265+/H.264, ottica fissa pinhole da 2.8mm conico, luminosità 0.01Lux f2.0, porta LAN 10/100, microfono incorporato, privacy mask 4 aree, 3D, WDR, alimentazione 12Vdc <1.56W, 1 ingresso e 1 uscita audio, staffa di fissaggio in dotazione, compatibile ONVIF. (44.0mm×34.6mm×30.0mm)



CARATTERISTICHE TECNICHE

Technical Specification

Model	NCF201SPH
Camera	
Image Sensor	1/3" CMOS
Max. Resolution	1920 (H) × 1080 (V)
ROM	128 MB
RAM	128 MB
Scanning System	Progressive
Electronic Shutter Speed	Auto/Manual 1/3 s–1/100,000 s
Min. Illumination	0.01 lux@F2.0 (Color, 30 IRE) 0.001 lux@F2.0 (B/W, 30 IRE)
S/N Ratio	>56 dB
Lens	
Lens Type	Fixed-focal
Lens Mount	M12
Focal Length	2.8 mm
Max. Aperture	F2.0
Field of View	Horizontal: 96°; Vertical: 55°; Diagonal: 110°
Iris Control	Fixed
Close Focus Distance	0.8 m (2.62 ft)
Smart event	
IVS	Abandoned object; missing object
Video	
Video Compression	H.265; H.264; H.264B; MJPEG (Only supported by the sub stream)
Smart Codec	Smart H.265+; Smart H.264+
Video Frame Rate	Main stream: 1920 × 1080 @ (1–25/30 fps) sub stream: 704 × 576 @ (1–25 fps)/704 × 480 @ (1–30 fps) *The values above are the max. frame rates of each stream; for multiple streams, the values will be subjected to the total encoding capacity.
Stream Capability	2 streams
Resolution	1080p (1920 × 1080); 1.3M (1920 × 960); 720p (1280 × 720); D1 (704 × 576/704 × 480); VGA (640 × 480); CIF(352 × 288/352 × 240)
Bit Rate Control	CBR/VBR
Video Bit Rate	H.264: 3 kbps–6144 kbps H.265: 3 kbps–6144 kbps
Day/Night	Color/B/W
BLC	Yes
HLC	Yes
WDR	120 dB
White Balance	Auto; natural; street lamp; outdoor; manual; regional custom
Gain Control	Auto; manual
Noise Reduction	3D NR
Motion Detection	OFF/ON (4 areas, rectangular)
Region of Interest (RoI)	Yes (4 areas)
Image Rotation	0°/90°/180°/270° (Support 90°/270° with 1080P resolution and lower)

Mirror	Yes
Privacy Masking	4 areas
Audio	
Built-in MIC	Yes
Audio Compression	G.711a; G.711Mu; G.726; G.723
Alarm	
Alarm Event	Network disconnection; IP conflict; illegal access; motion detection; video tampering; tripwire; intrusion; audio detection; voltage detection; security exception
Network	
Network Port	RJ-45 (10/100 Base-T)
SDK and API	Yes
Cyber Security	Video encryption; Firmware encryption; Configuration encryption; Digest; WSSE; Account lockout; Security logs; IP/MAC filtering; Generation and importing of X.509 certification; syslog; HTTPS; 802.1x; Trusted boot; Trusted execution; Trusted upgrade
Network Protocol	IPv4; IPv6; HTTP; TCP; UDP; ARP; RTP; RTSP; RTCP; RTMP; SMTP; FTP; SFTP; DHCP; DNS; DDNS; QoS; UPnP; NTP; Multicast; ICMP; IGMP; NFS; PPPoE; Bonjour
Interoperability	ONVIF (Profile S/Profile T); CGI; P2P; Milestone
User/Host	20 (Total bandwidth: 48 M)
Storage	FTP; SFTP; NAS
Browser	IE Chrome Firefox
Management Software	Smart PSS; DSS; DMSS
Mobile Client	iOS; Android
Certification	
Certifications	CE-LVD: EN62368-1; CE-EMC: Electromagnetic Compatibility Directive 2014/30/EU; FCC: 47 CFR FCC Part 15, Subpart B
Port	
Audio Input	1 channel (RCA port)
Audio Output	1 channel (RCA port)
Power	
Power Supply	12 VDC
Power Consumption	Basic: 1.2 W (12 VDC) Max. (H.265 + intelligence on + WDR): 1.56 W (12 VDC)
Environment	
Operating Temperature	-40 °C to +60 °C (-40 °F to +140 °F)
Operating Humidity	≤95%
Storage Temperature	-40 °C to +60 °C (-40 °F to +140 °F)
Structure	
Casing	Metal
Product Dimensions	31.0 mm × 31.0 mm × 30.0 mm (1.22" × 1.22" × 1.18") (L × W × H)
Net Weight	81 g (0.18 lb)
Gross Weight	138 g (0.30 lb)

DORI Distance

	Lens	Detect	Observe	Recognize	Identify
DORI Distance	2.8 mm	61.0 m (200.13 ft)	24.4 m (80.05 ft)	12.2 m (40.03 ft)	6.4 m (20.01 ft)